

UFP-SRA08

Outdoor Enclosures for manual pull station

Specifications:

- Polycarbonate Enclosure
- Can be used as a guard against physical damage to manual pull station;
- Typical working properties of polycarbonate are -40° to 250°F (-40° to 121°C).
- Two year guarantee against breakage of polycarbonate housing in normal use

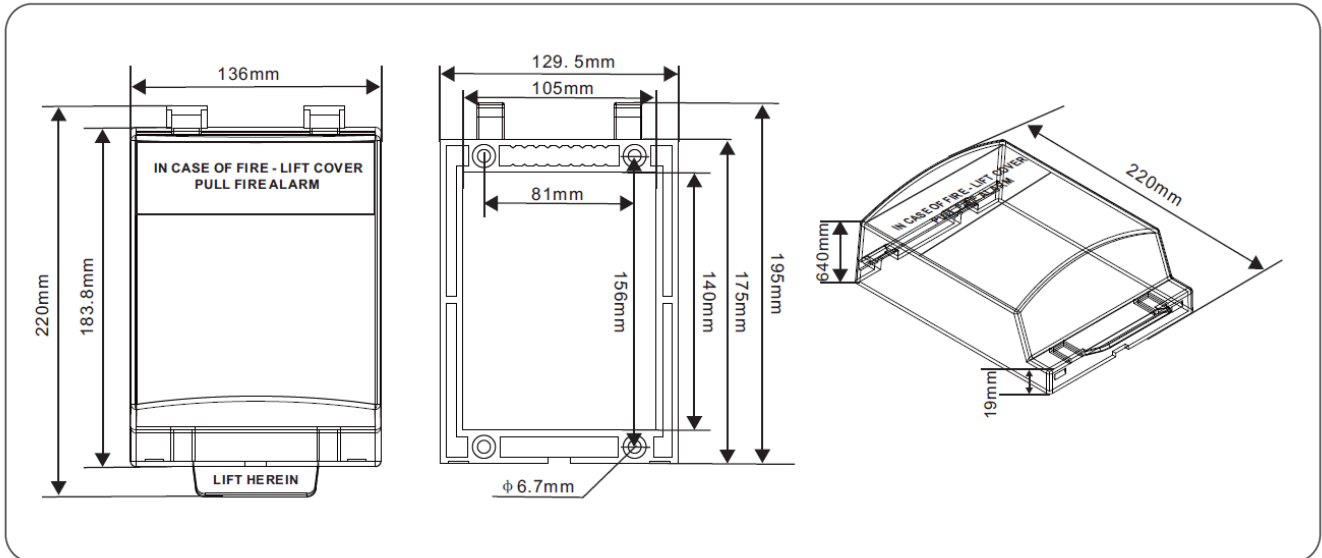
Important Notice:

UFP-SRA08 is intended to be used in areas where the incidence of false fire alarms from manual pull stations is high or has proven to be a serious problem. Any disadvantage of this device is more than balanced when one considers the consequences of false fire alarms, especially if fire service personnel and equipment are responding to a false fire alarm when they are needed for a real fire somewhere else. Add to this the disruption to the facility when false alarms occur. If you have, or may have, a problem with false fire alarms or physical/ weather damage to your fire alarm activation devices, the UFP-SRA08 could prove invaluable.

The product is designed in Qatar and manufactured in China.



Dimension:



Installation note:

1. When used outdoors, the manual pull station must also be rated for outdoor use.
2. According to UL Listing, models powered from an external power source cannot be supplied from the fire alarm panel.
3. When properly installed the operation of this cover will not interfere with the function of your life safety system.
4. A backplate and gaskets must be used to achieve NEMA 3R integrity.

