

产品规格书
 PRODUCT DATASHEET

产品规格 PRODUCT SPEC	产品名称 Product Name	Emergency Light
	产品型号 Product Model	BY-Z2145U-T
	电池 Battery	Ni-Cd SC3.6V 1500mAh
	充电时间 Charge Time	24H
	应急时间 Emergency Duration	3H
	PCB 材质 PCB Type	CEM-1 /1.6MM
	自容式或中央供电式 Self-contained or central power	Self-contained
	外壳/颜色 Case/color	White
	视距 Viewing Distance	NA
	外壳防护等级 Degree of Protection	IP65
	灯具等级 Classification of Luminaires	NA
	认证标准 Certification Standard	UL924
	使用温度 Operation Temperature	0°C-40°C
	质保期 Warranty (Years)	2 Years
电气特性 ELECTRICAL	输入电压 Input Voltage	Vac120~277
	电源频率 Frequency	50Hz / 60Hz
	输入电流 Input Current	0.075A(maintained) 0.025A(non-miantained)
	输入功率 Input Power	5W (maintained) 1.5W(non-miantained)
	操作模式 Operation Mode	Maintained/Non-maintained
	应急功率 Emergency Power	1.3W(3.6V)

光学特性 OPTICAL	功率因数 Power Factor	/
	LED 封装型号 LED Package Type	SMD 2835/0.2W
	LED 数量 LED Qty	27pcs
	色温 Correlated Color Temperature	6500k
	光通量 (市电) Luminance Flux	150 LM
	光通量(应急) Emergency Luminance Flux	150 LM
	结构特性 STRUCTURAL	显色指数 Color Render Index
产品外型尺寸 Dimension(mm)		352×110×68MM
安装型式 Mounting Type		Wall mounted
灯罩材质 Cover Material		PC
灯体材质 Housing Material		PC
产品净重 Net Weight		0.65KG

产品图片 PRODUCT IMAGE



安装图 INSTALLATION DRAWING

Figure 1

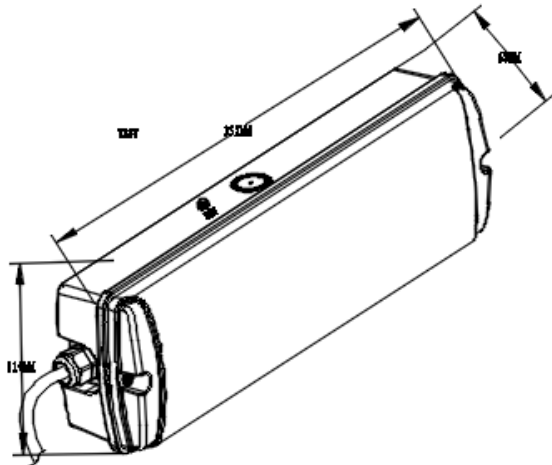


Figure 2

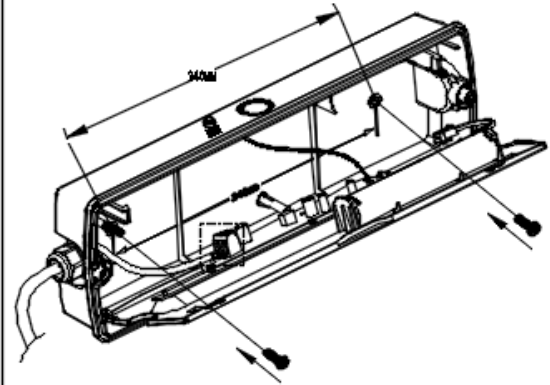


Figure 3

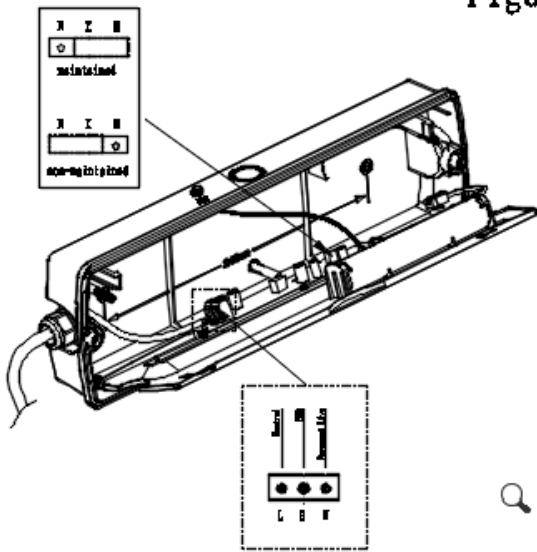
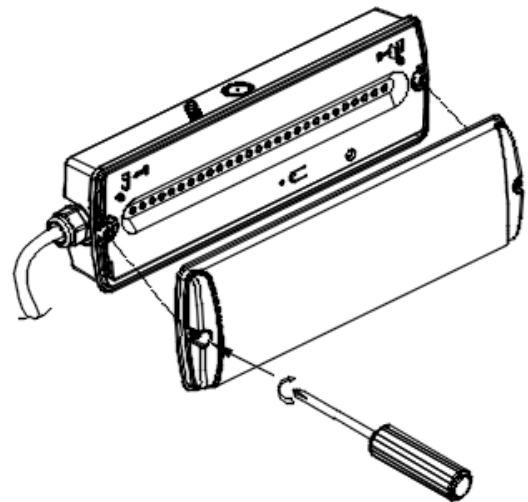


Figure 4



编制 Prepared By